

Product Change Notification

PCN19-01 CCM01MK5 Plastic cover

C&K

2 rue Berthollet - B.P. 359 F-39105 Dole Cedex - France
Tel :+33 (0)3 84 72 81 12 www.ckswitches.com

Document subject to change without prior notice

Document revision

Revision	Date	Description	Author
A	January 17, 2019	Creation	C.Garropin

C&K

2 rue Berthollet - B.P. 359 F-39105 Dole Cedex - France
Tel :+33 (0)3 84 72 81 12 www.ckswitches.com

Document subject to change without prior notice

Summary

1. Purpose	4
2. Overview	4
3. Impact of Change and Qualification	6
4. Part numbers affected	6
5. Date of application	7
6. Conditions of application	7
7. Support	7

C&K

2 rue Berthollet - B.P. 359 F-39105 Dole Cedex - France
Tel :+33 (0)3 84 72 81 12 www.ckswitches.com

Document subject to change without prior notice

1. Purpose

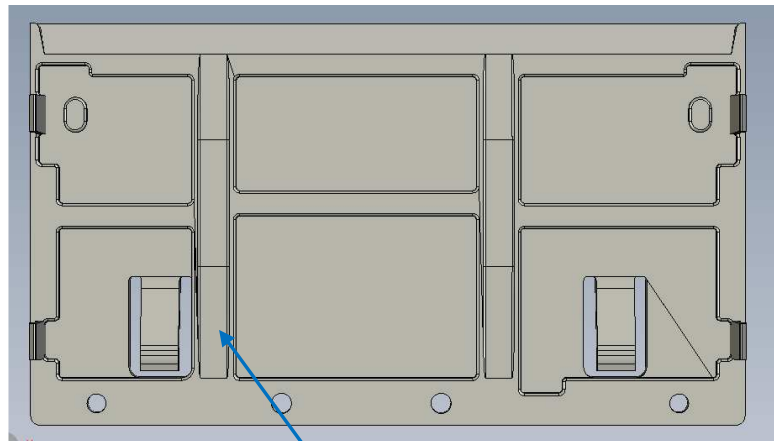
C&K components, as design and manufacturing company for chip card connector, is constantly looking to improve the manufacturing means and processes in order to continue serving its customers with the highest performance level.

As part of this continuous improvement policy, C&K Components has engaged a program around CCM01 MK5 series. This program consists of improvements related to the cover molding process for CCM01-MK5 series with plastic cover.

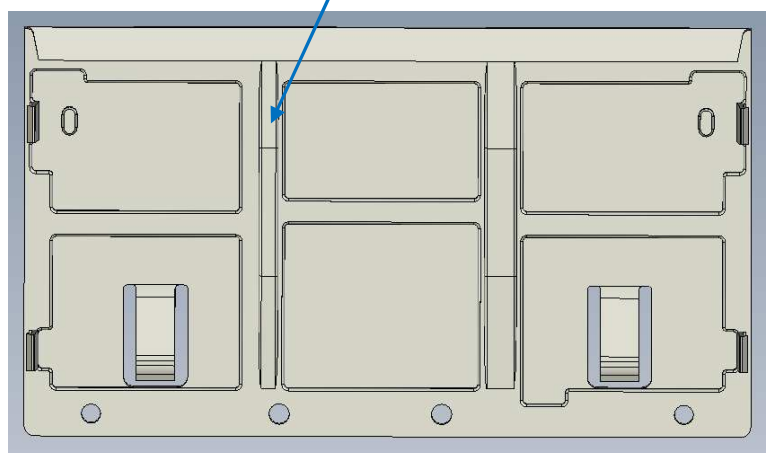
2. Overview

⇒ New rib design and position

Current design



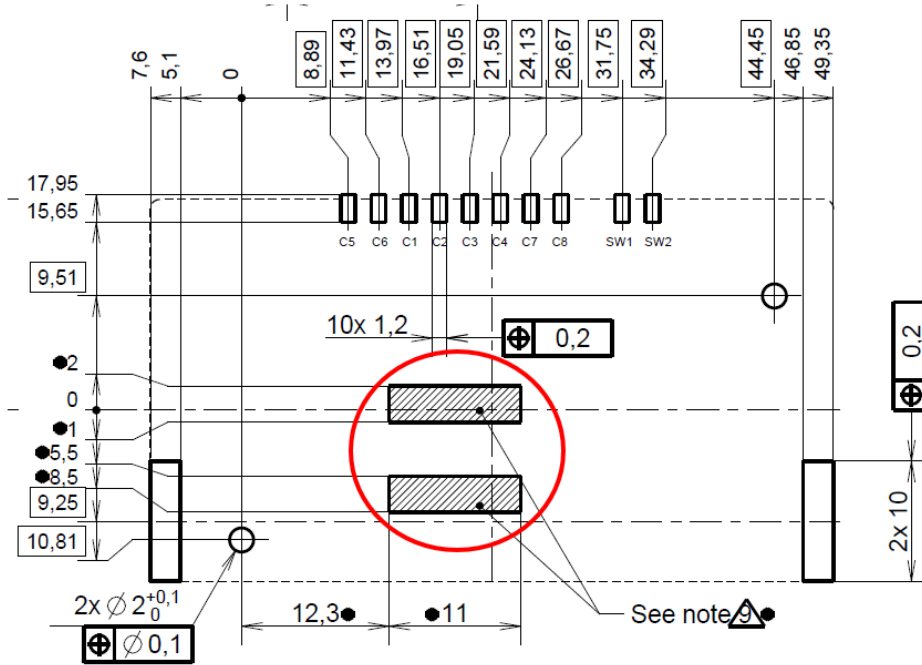
New configuration



Rib position

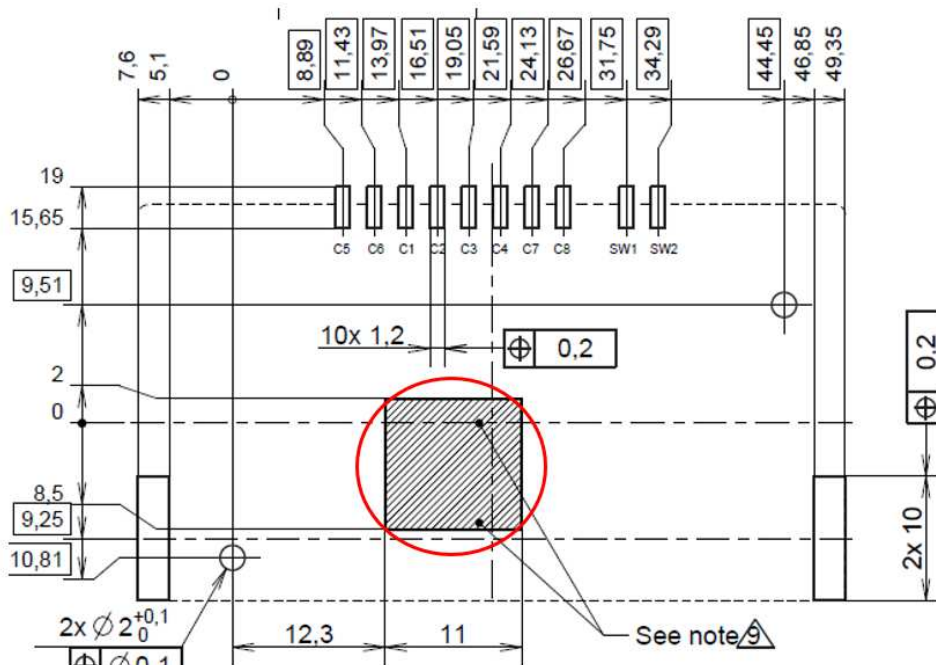
⇒ Information on recommended PCB layout upgrade.

Current design



RECOMMENDED PC BOARD LAYOUT
(component side)

New configuration



RECOMMENDED PC BOARD LAYOUT
(component side)

C&K

2 rue Berthollet - B.P. 359 F-39105 Dole Cedex - France
Tel :+33 (0)3 84 72 81 12 www.ckswitches.com

Document subject to change without prior notice

3. Impact of Change and Qualification

3.1 Impact of Change

These evolutions do not change the performances of the connector and therefore, the contents of CCM specifications remain applicable.

3.2 Qualification

Laboratory test report available.

4. Part numbers affected

Y1115-2503C LFT	CCM01-2503 LFT T25
Y1115-2505B LFT	CCM01-2505 LFT R351
Y1115-2505C LFT	CCM01-2505 LFT T25
Y1115-2513B LFT	CCM01-2513 LFT R351
Y1115-2513C LFT	CCM01-2513 LFT T25
Y1115-2515B LFT	CCM01-2515 LFT R351
Y1115-2515C LFT	CCM01-2515 LFT T25
Y1115-2543B LFT	CCM01-2543 LFT R351
Y1115-2553C LFT	CCM01-2553 LFT T25
Y1115-2563B LFT	CCM01-2563 LFT R351
Y11152523BLFTAD	CCM01-2523 LFT R351 AD
Y11152523BLFTA E	CCM01-2523 LFT R351 AE
Y11152523BLFTA F	CCM01-2523 LFT R351 AF
Y11152523BLFTBD	CCM01-2523 LFT R351 BD
Y11152523BLFTBE	CCM01-2523 LFT R351 BE
Y11152523BLFTBF	CCM01-2523 LFT R351 BF
Y11152523BLFTCD	CCM01-2523 LFT R351 CD
Y11152523BLFTCE	CCM01-2523 LFT R351 CE
Y11152523BLFTCF	CCM01-2523 LFT R351 CF
Y11152523CLFTAD	CCM01-2523 LFT T25 AD
Y11152523CLFTA E	CCM01-2523 LFT T25 AE
Y11152523CLFTA F	CCM01-2523 LFT T25 AF
Y11152523CLFTBD	CCM01-2523 LFT T25 BD
Y11152523CLFTBE	CCM01-2523 LFT T25 BE
Y11152523CLFTBF	CCM01-2523 LFT T25 BF
Y11152523CLFTCD	CCM01-2523 LFT T25 CD
Y11152523CLFTCE	CCM01-2523 LFT T25 CE
Y11152523CLFTCF	CCM01-2523 LFT T25 CF
Y11152525BLFTAD	CCM01-2525 LFT R351 AD

C&K

2 rue Berthollet - B.P. 359 F-39105 Dole Cedex - France
Tel :+33 (0)3 84 72 81 12 www.ckswitches.com

Document subject to change without prior notice

Y11152525BLFTAE	CCM01-2525 LFT R351 AE
Y11152525BLFTAF	CCM01-2525 LFT R351 AF
Y11152525BLFTBD	CCM01-2525 LFT R351 BD
Y11152525BLFTBE	CCM01-2525 LFT R351 BE
Y11152525BLFTBF	CCM01-2525 LFT R351 BF
Y11152525BLFTCD	CCM01-2525 LFT R351 CD
Y11152525BLFTCE	CCM01-2525 LFT R351 CE
Y11152525BLFTCF	CCM01-2525 LFT R351 CF
Y11152525CLFTAD	CCM01-2525 LFT T25 AD
Y11152525CLFTAE	CCM01-2525 LFT T25 AE
Y11152525CLFTAF	CCM01-2525 LFT T25 AF
Y11152525CLFTBD	CCM01-2525 LFT T25 BD
Y11152525CLFTBE	CCM01-2525 LFT T25 BE
Y11152525CLFTBF	CCM01-2525 LFT T25 BF
Y11152525CLFTCD	CCM01-2525 LFT T25 CD
Y11152525CLFTCE	CCM01-2525 LFT T25 CE
Y11152525CLFTCF	CCM01-2525 LFT T25 CF

5. Date of application

Date for first deliveries of new version: W17/2019

6. Conditions of application

Pricing and stock handling policy:

* Pricing: any pricing and other sales conditions remain valid.

* Stock handling: no obsolescence and no specification modification are applied on any P/N.

No return or scrap for obsolescence will be accepted.

7. Support

For any question, please contact your C&K sales representative or email me at Cedric.Garropin@ckswitches.com